

PROJECT

QUANTITY

P3F Fresnel Light (Track)

90W LED/ 15°- 45°



ORDERING GUIDE

CXP3F - - - - **PSP** -

Mode

CLR All Modes
EZ All EZ Modes
RGB RGB Mode Only
CCT Tunable CCT Mode Only
3200 Fixed 3200K
5600 Fixed 5600K

Finish

WH White
BK Black

Mount

TOX w/ O-type DMX Track Adapter
TEX w/ E-type DMX Track Adapter (Legacy product)

Power Supply & Control

PSP Power Supply w/ Pass-Through DMX

Plug/Connection

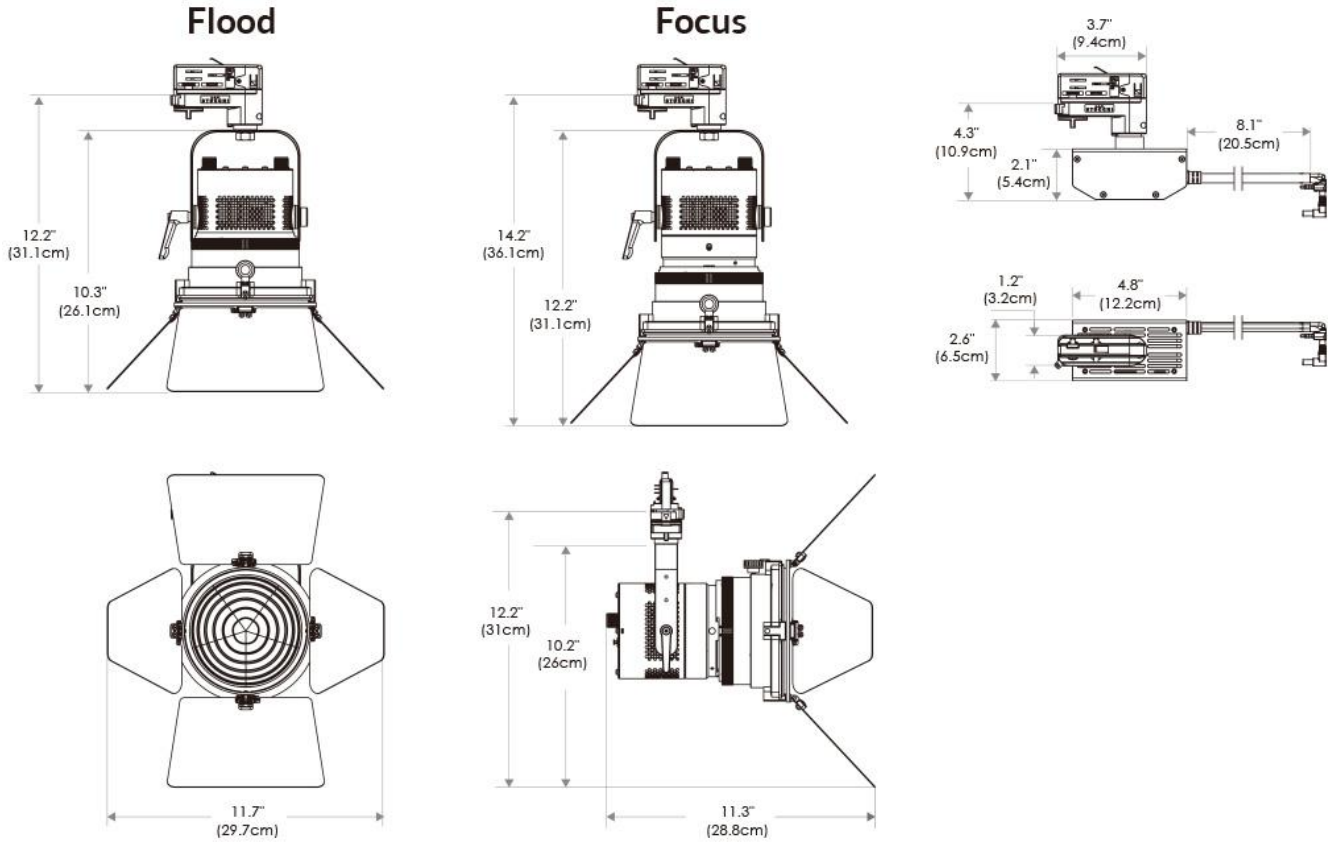
US US 120V
EU EU 220V

SPECIFICATIONS

Beam Angle	15°- 45°
CRI / TLCI	95/90 typical (in CCT Mode of 2800K-6500K)
Dimming	100% - 0% flicker free
Power Draw	90W max
AC Input	100 - 240V AC, 50 - 60Hz
Remote Control	DMX 512
Cooling	Fan Cooled
Acoustic Noise	23 dBA
Operating Temp.	32 - 104°F (0 - 40°C)
Weight (Fixture + Power Supply)	4.5lb / 2.1kg

- Cine-Grade Light Quality
- Point-Source LED
- DMX Controllable
- 90W Power Draw
- Compact (< 8" of Vertical Space)

MECHANICAL FIGURES

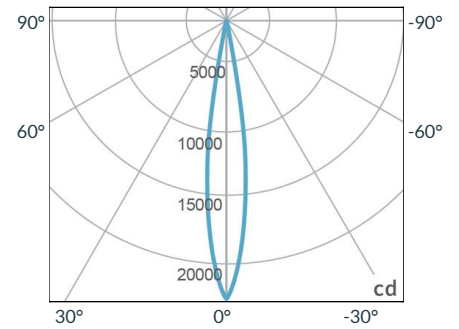


PHOTOMETRIC DATA

Focus

Distance		3' (~0.9m)	10' (~3.0m)	15' (~4.6m)
@3200K	fc	2522	237	119
	lux	27147	2552	1281
@5600K	fc	2606	245	123
	lux	28051	2638	1324
Beam Diameter		Ø 2.3' (~0.2m)	Ø 7.5' (~0.8m)	Ø 11.3' (~1.2m)

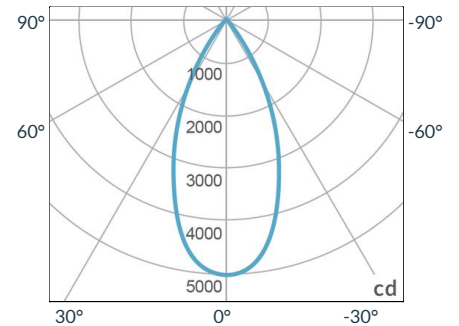
Beam Angle : 15°



Flood

Distance		3' (~0.9m)	10' (~3.0m)	15' (~4.6m)
@3200K	fc	529	53	30
	lux	5695	571	323
@5600K	fc	564	55	31
	lux	6071	593	334
Beam Diameter		Ø 2.3' (~0.7m)	Ø 8.6' (~2.6m)	Ø 11.3' (~3.4m)

Beam Angle : 45°



MODE DESCRIPTION

Mode Description	Available Modes
- CLR	All Modes (8 bit and 16 bit)
- EZ	All EZ Modes (8 bit) (EZ CCT / EZ HSI / EZ RGBW / EZ RGB / EZ ICTHS / EZ ICT RGBW / EZ 3200K / EZ 5600K)
- RGB	EZ RGB (8 bit)
- CCT	EZ CCT (8 bit)
- 3200	EZ 3200K (8 bit)
- 5600	EZ 5600K (8 bit)

See Downloads portion of webpage for full DMX profiles